

H7TURBO

PIR Sensor Hidden Camera

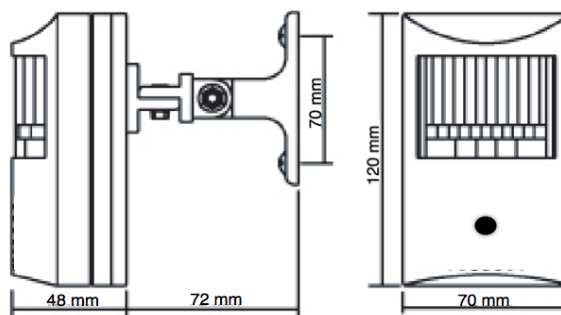


Features

- 1/4" 1M CMOS Sensor
- Auto Flickerless, AGC, AWB, AES, 2D DNR
- HD TVI 720P/960H Output Selectable From Cable Switch
- Power supply: DC12V

| | | |
|----------------------------------|-------------------------|-------------------------|
| VIDEO | Image Device | 1/4" 1M CMOS Sensor |
| | Picture Elements | NTSC: 1280 x 720 |
| | Resolution | HD TVI 720p |
| | Illumination | 0.1 Lux |
| | S/N Ratio | More than 50dB |
| | Electronic Shutter | Auto: 1/60 ~ 1/100,000 |
| | Gamma | 0.45 |
| LENS | Lens | 3.7 mm Cone Lens |
| | Iris Control | Fixed |
| DAY/NIGHT | IR-Cut Filter Removable | No |
| | Day & Night | No |
| | Infrared Luminary | No |
| | Illumination Distance | No |
| | Wavelength | No |
| | Light Transistor | No |
| | FUNCTIONS | On-Screen-Display (OSD) |
| Adaptive Tone Reproduction (ATR) | | Off |
| Digital Noise Reduction (DNR) | | On |
| IR Optimizer (IR Smart) | | Off |
| White Balance | | Auto |
| Gain Control | | Auto |
| Back Light Compensation (BLC) | | Auto |
| GENERAL | Sync. System | Internal |
| | Video Output | HD-TVI (BNC) |
| | Power Supply | 12VDC +10% 100mA max. |
| | Operating Temp. | -10~50°C (14~122°F) |
| | | |

Dimensions



* All specifications are subject to change without notice.

* All brand names and registered trademarks are the property of their respective owners.